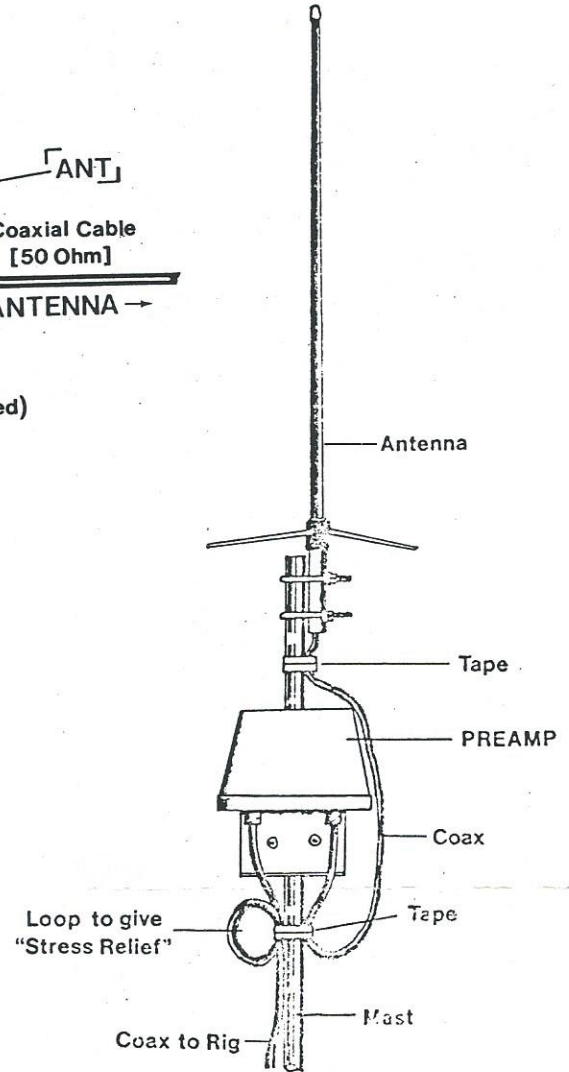
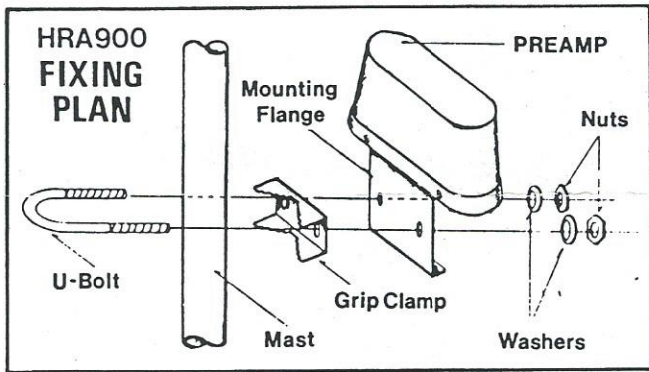
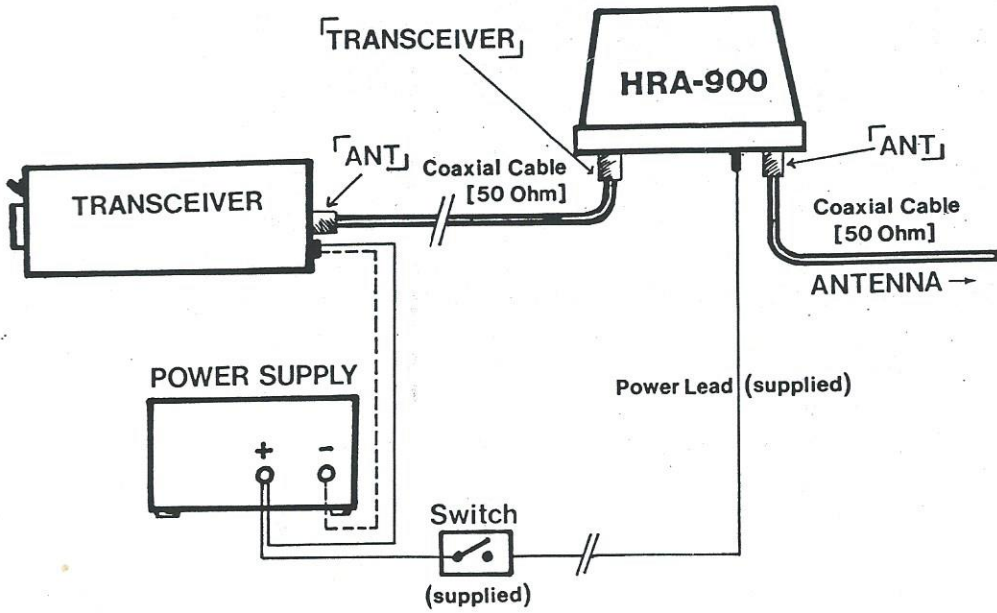


INSTALLATION



SPECIFICATION

Operating Frequency:	934-935MHz
Input/Output Impedances:	50 Ohms
Gain:	18dB Minimum
Nominal Noise Figure:	Less than 0.8dB
Max Handling Power:	50 Watts
DC Power:	+ 9-15V (13.8V) Approx 200mA at 13.8V
Connectors:	N-Type (female)
Fitting Mast Diameter:	22 - 54 mm
Semiconductors:	GaAs FET x 1; Transistors x 4 Diodes x 13
Accessories:	Bracket adaptor, U-Bolt, 0.3 Volt SQ DC cord, Nut & Instruction Manual.
Dimensions:	180(W) x 82(H) x 75(D) mm.
Weight:	Approx 550g